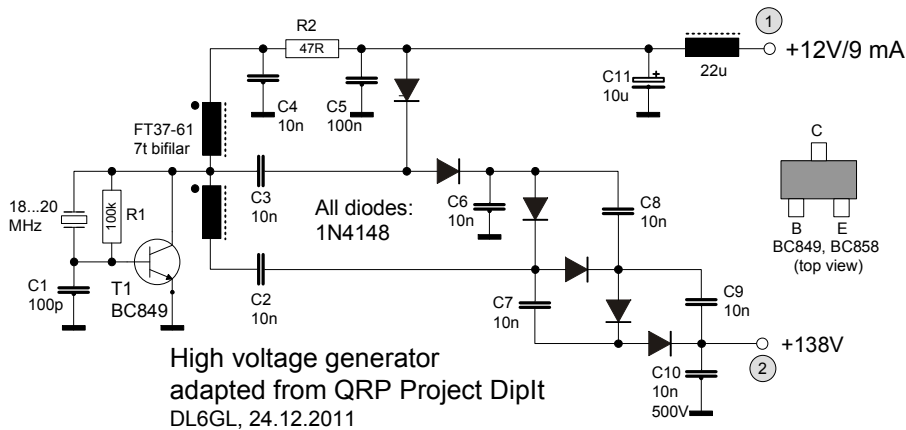
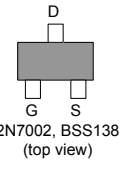
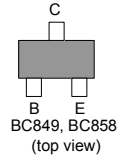
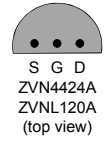
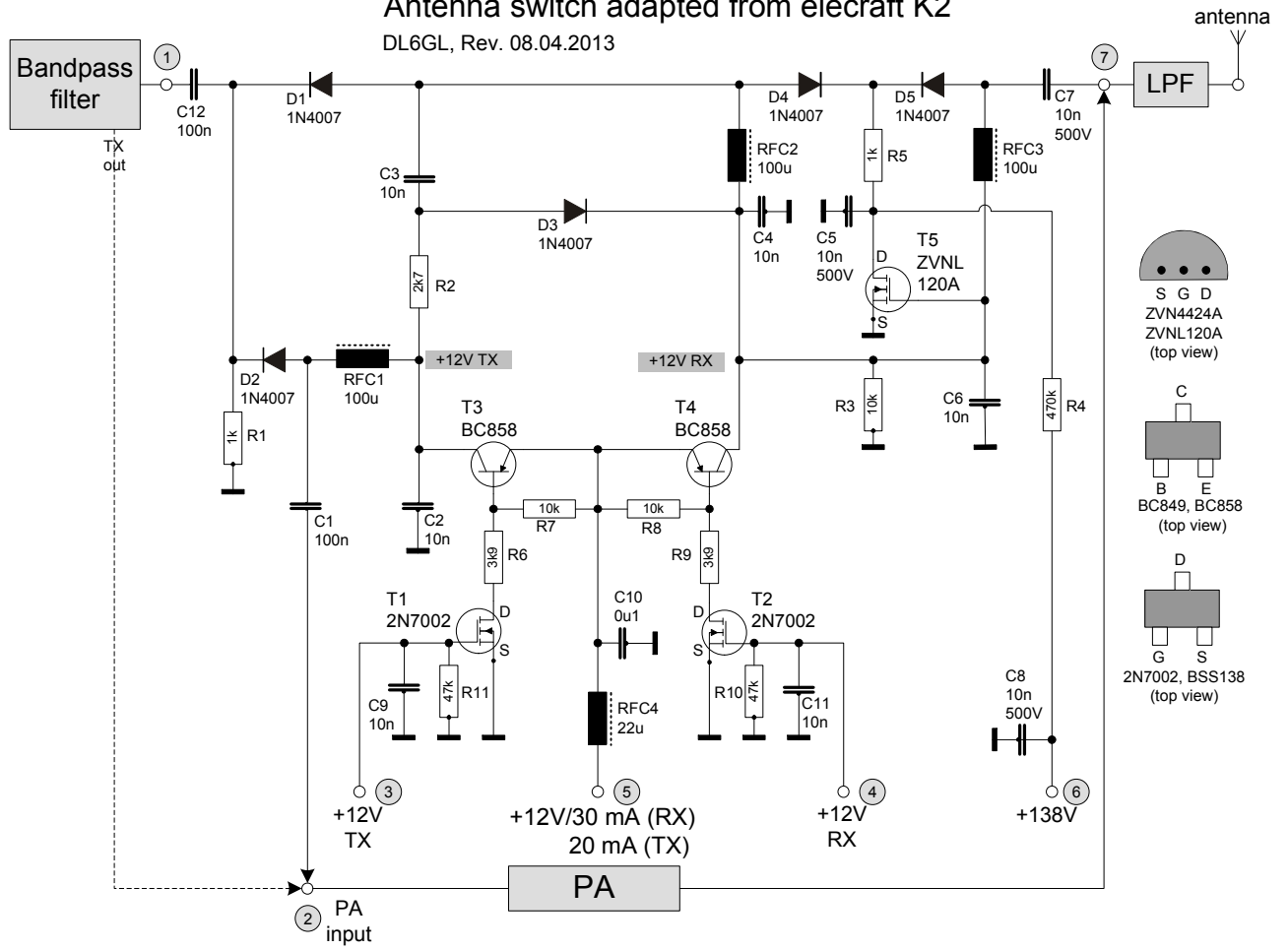


# Antenna switch adapted from elecraft K2

DL6GL, Rev. 08.04.2013



High voltage generator  
adapted from QRP Project Diplt  
DL6GL, 24.12.2011