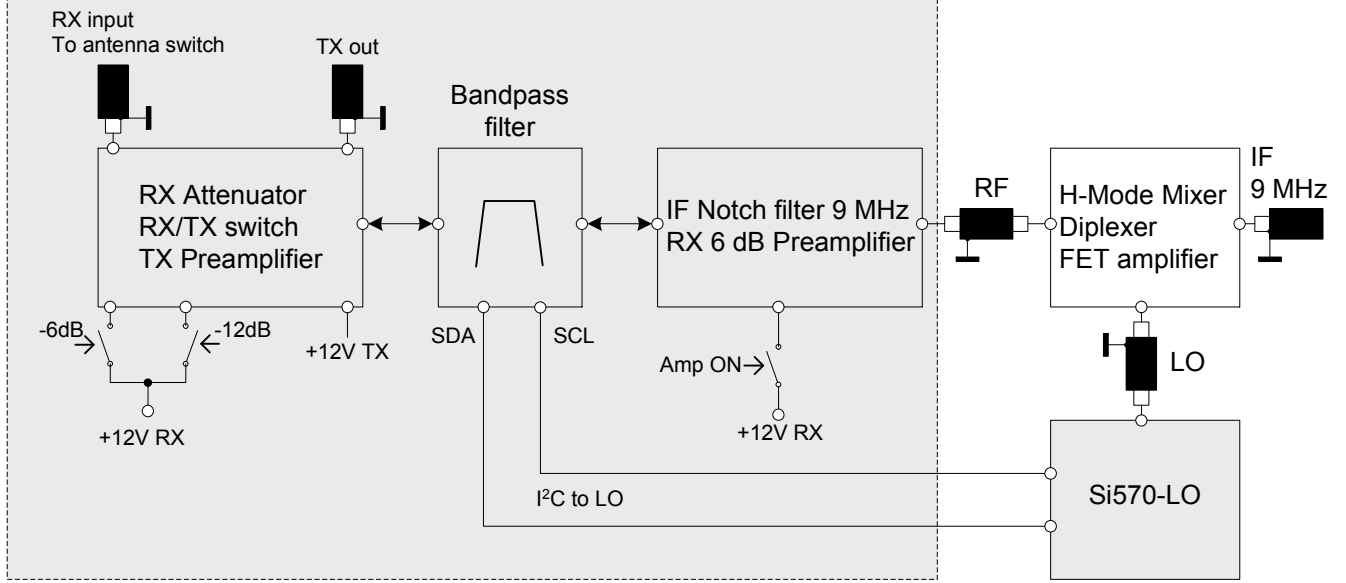


# TRX Frontend

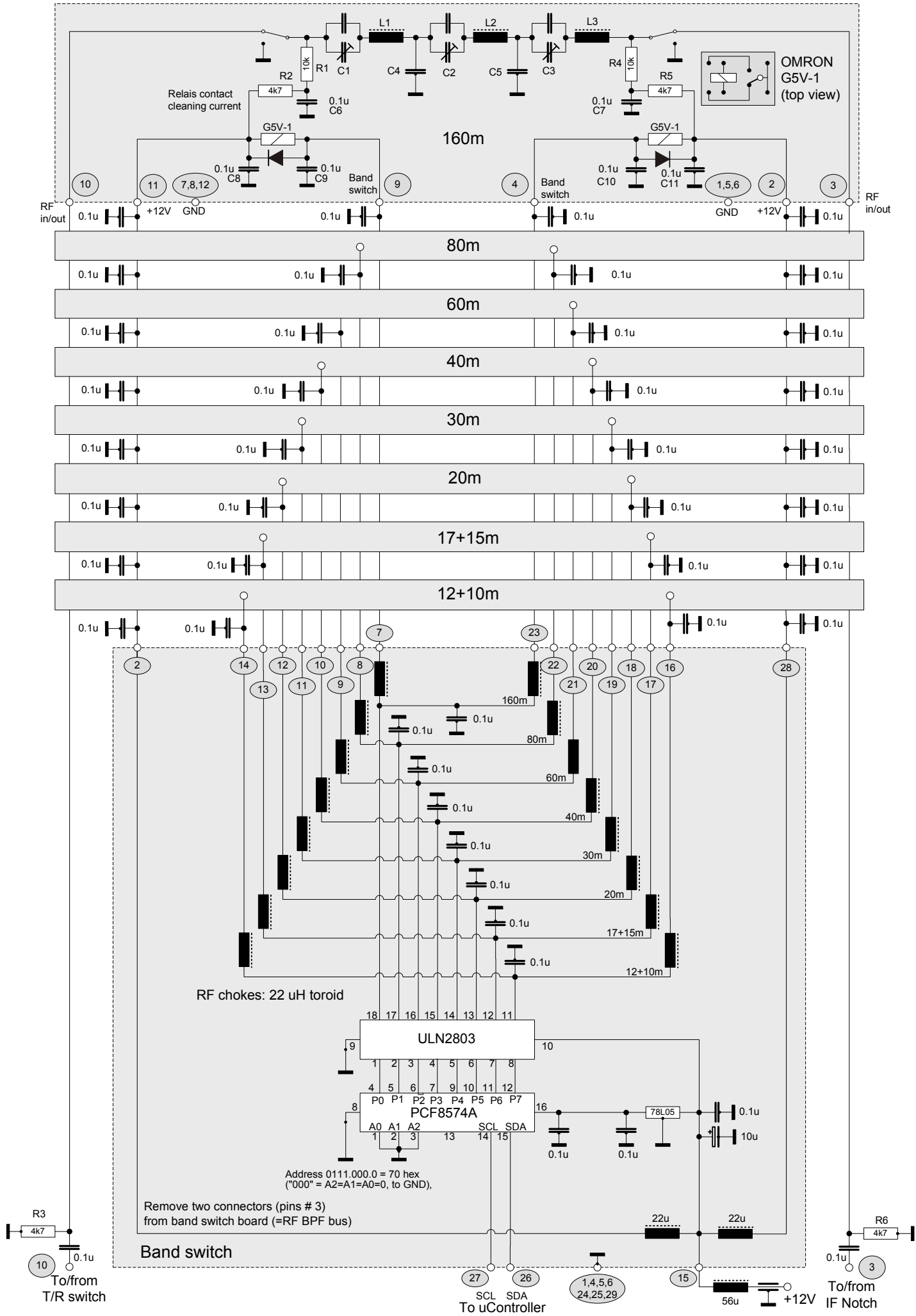
DL6GL, 27.08.2010



# TRX Frontend (Band pass filter & band switch)

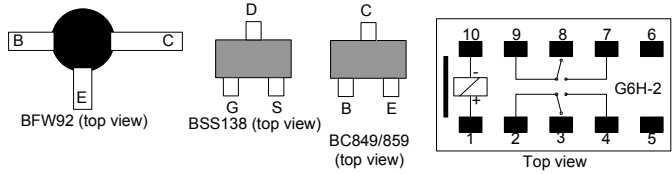
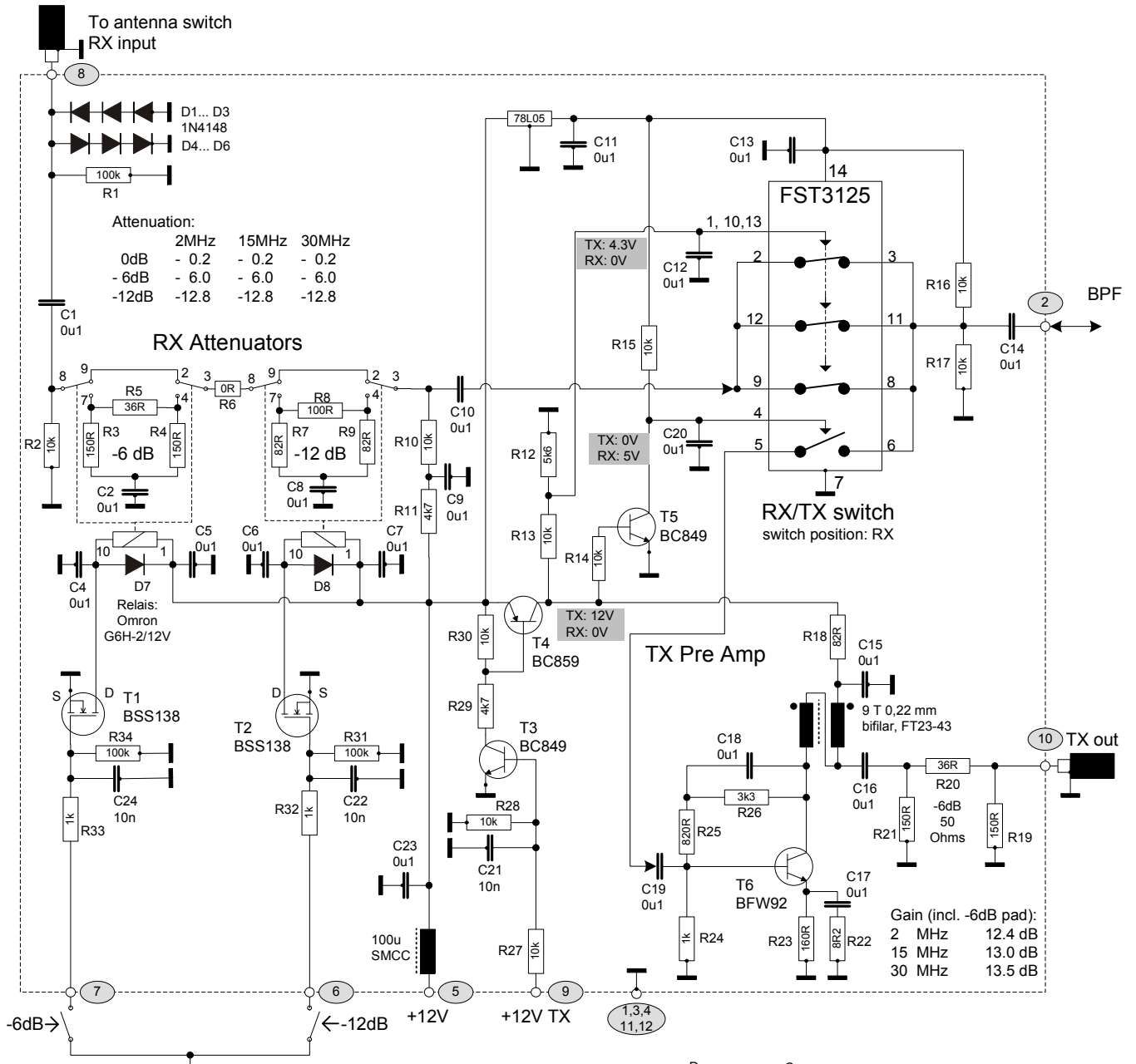
DL6GL, 28.08.2010

Relais: OMRON G5V-1 or IANBO TR5V-M (12V)



# TRX Frontend (RX Attenuator, RX/TX switch, TX preamplifier)

DL6GL Rev. 1, 07.06.12



# TRX Frontend (IF Notchfilter, RX Preamplifier)

DL6GL Rev. 1, 03.06.12

