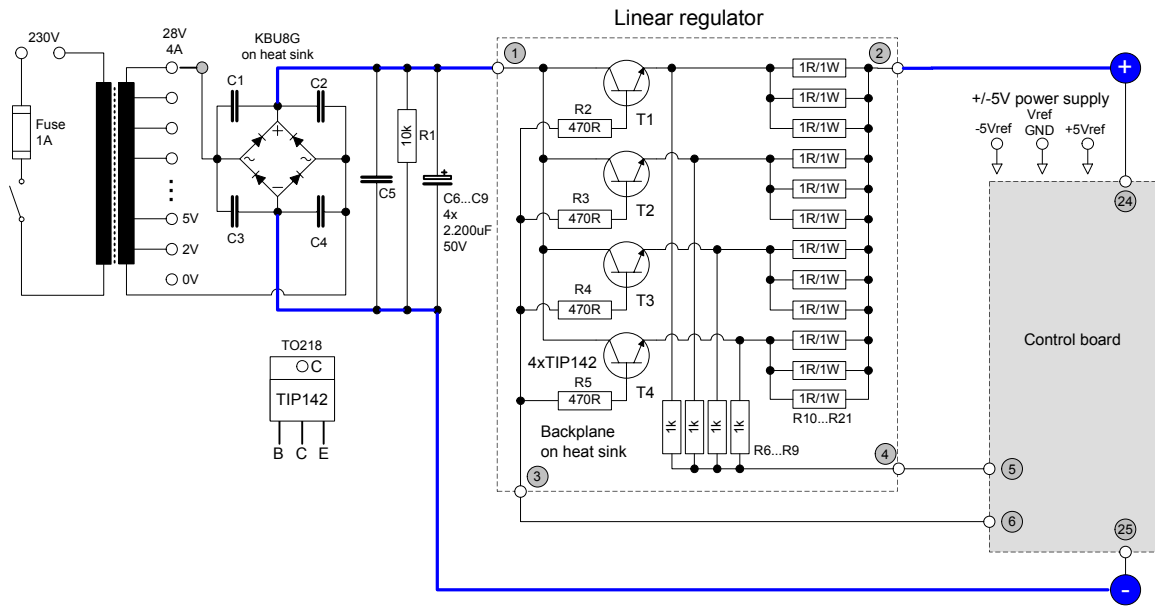


# 28V/4A Power supply

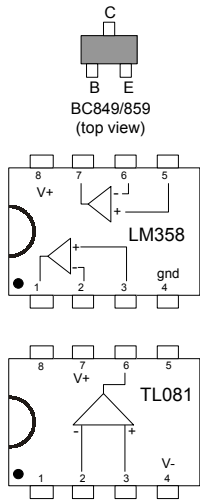
DL6GL 17.01.2015



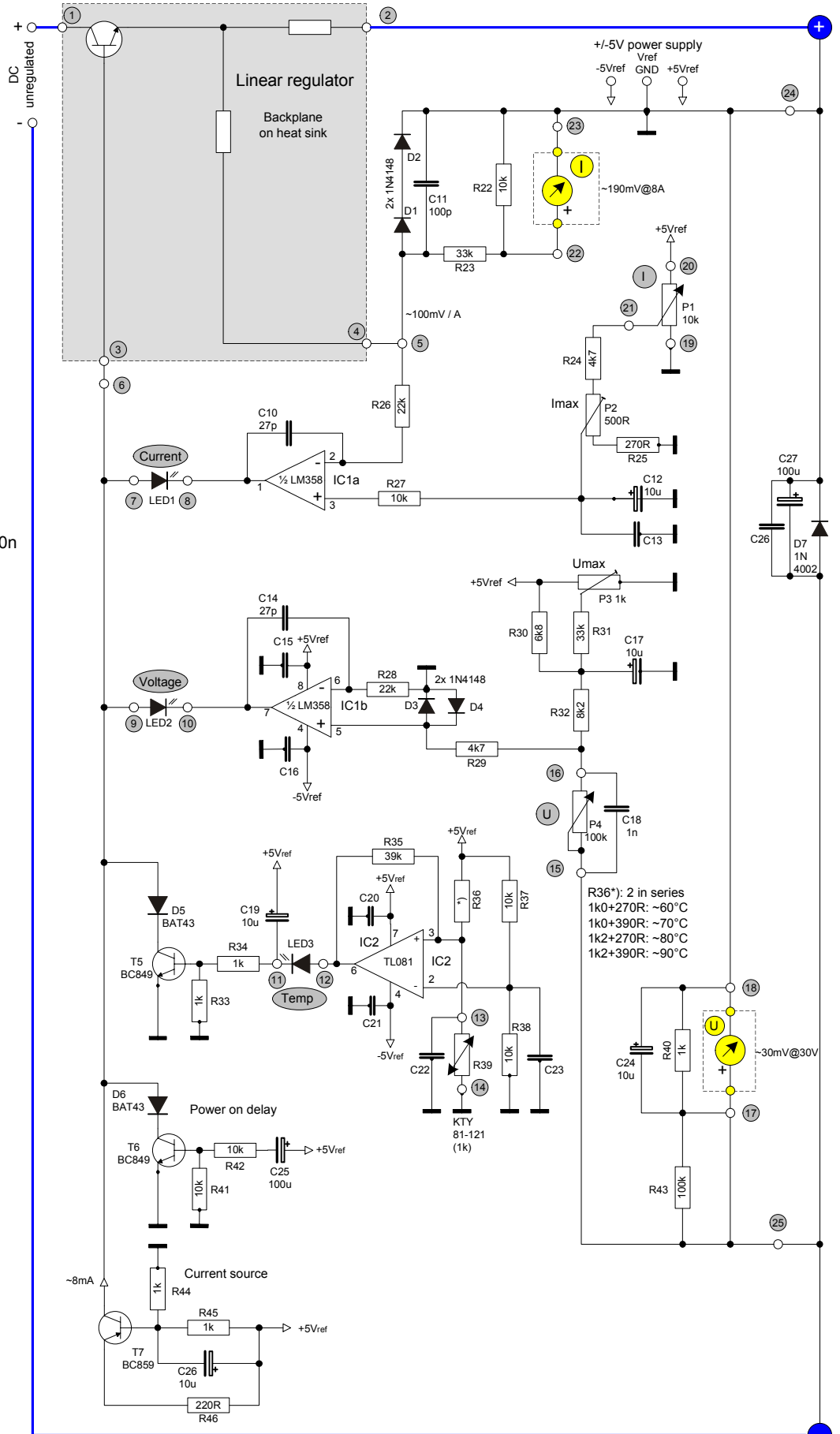
# 28V/4A Power supply

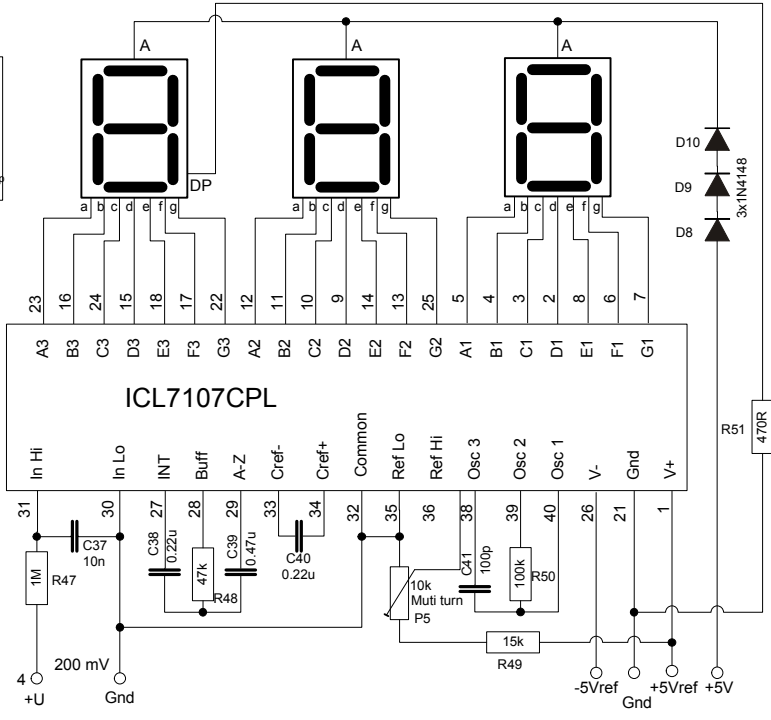
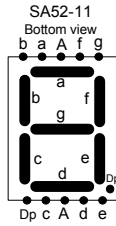
DL6GL 17.01.2015

# Control board

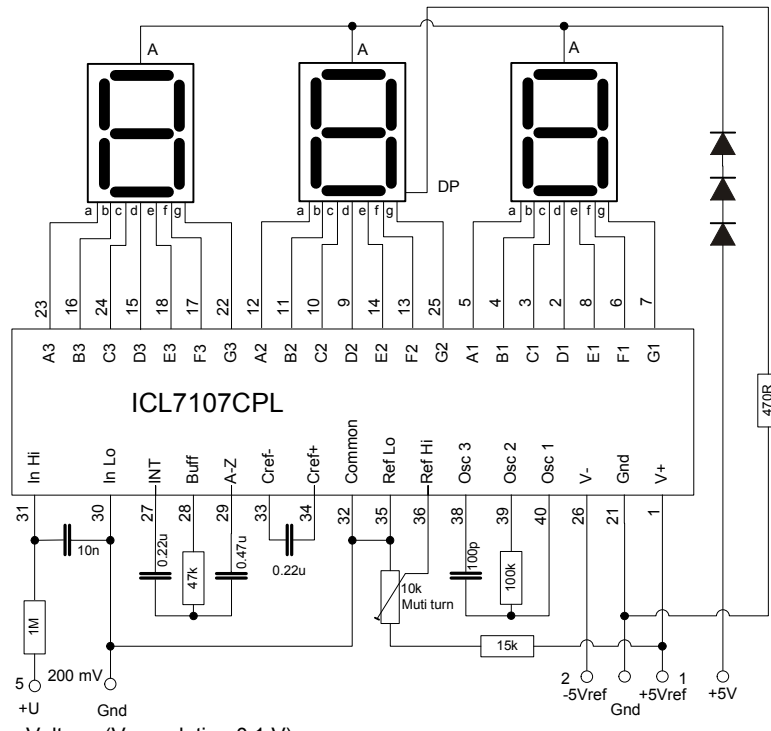


All caps unless noted: 100n





Current (A, resolution 0,01A)



Voltage (V, resolution 0.1 V)

