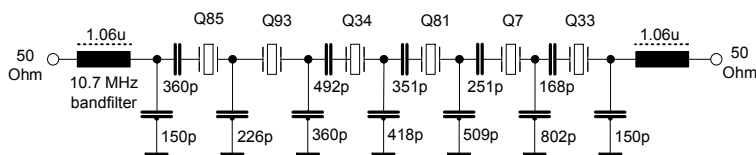
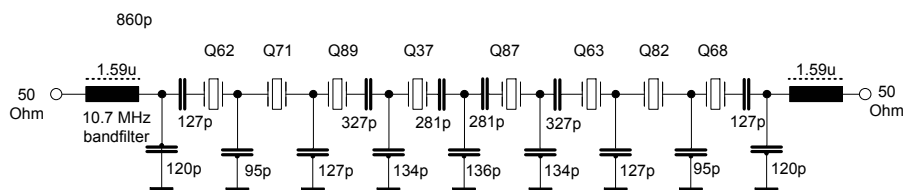


CW+SSB crystal filter unit

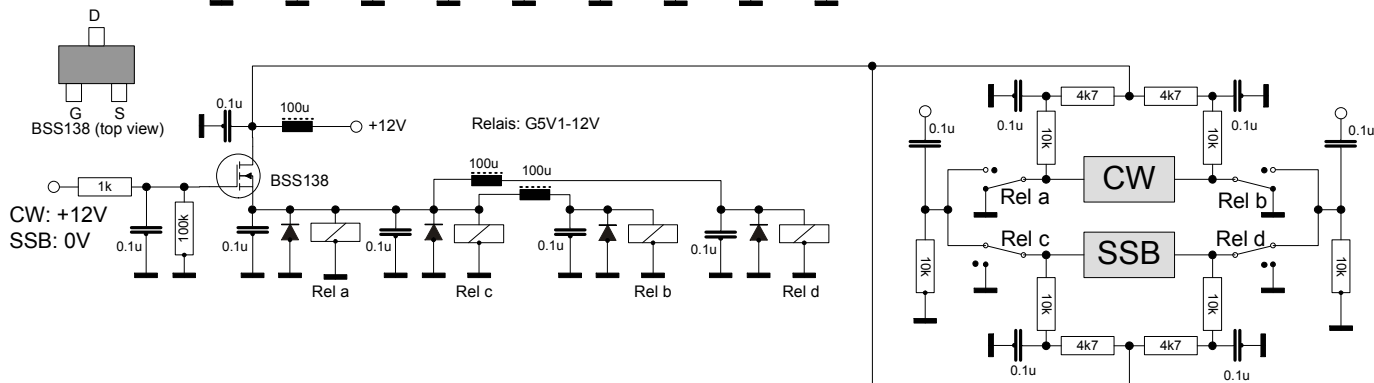
08.02.2011



8.86 MHz CW-Filter
 Linear phase 0.5 dB
 Center freq. 8,863,871 Hz
 440 Hz @ -3dB
 Shape (6/60dB) 3.59
 Loss 6.7 dB



8.86 MHz SSB-Filter
 Chebychev 0.1 dB ripple
 Center freq. 8,864,754 Hz
 2,330 Hz @ -3dB
 Shape (6/60 dB) 1.73
 Loss 1.4 dB



Messergebnisse NWT SSB-xtals						Berechnung					
Nr.	Cp (pF)	U0 (dB)	U1 (dB)	fres (Hz)	BW (Hz)	U0/U1	Rm	Lm (mH)	Cm (fF)	Q Load	Q Unload
62	5,01	0,83	2,81	8.863.140	361	1,2560	6,43	13,90	23,20	24.552	120.445
68	5,03	0,83	2,46	8.863.141	348	1,2064	5,18	13,85	23,28	25.469	148.850
89	5,08	0,84	2,45	8.863.146	351	1,2036	5,11	13,70	23,54	25.251	149.244
71	5,01	0,83	2,5	8.863.150	351	1,2120	5,32	13,79	23,38	25.251	144.364
82	5,06	0,84	2,6	8.863.150	353	1,2246	5,64	13,86	23,27	25.108	136.890
63	5,06	0,83	2,6	8.863.152	351	1,2260	5,67	13,95	23,11	25.251	136.969
37	5,00	0,83	2,48	8.863.162	344	1,2092	5,25	14,04	22,96	25.765	148.922
87	4,99	0,84	2,6	8.863.165	350	1,2246	5,64	13,98	23,07	25.323	138.064
Mittel	5,03			8.863.151			5,53	13,88	23,23		

Messergebnisse NWT CW-xtals						Berechnung					
Nr.	Cp (pF)	U0 (dB)	U1 (dB)	fres (Hz)	BW (Hz)	U0/U1	Rm	Lm (mH)	Cm (fF)	Q Load	Q Unload
33	5,03	0,83	2,83	8.863.190	366	1,2589	6,50	13,74	23,47	24.216	117.743
85	5,05	0,84	2,64	8.863.190	354	1,2303	5,78	13,88	23,23	25.037	133.768
93	5,05	0,84	2,77	8.863.192	354	1,2488	6,25	14,09	22,88	25.037	125.661
34	5,03	0,83	2,72	8.863.193	355	1,2431	6,10	13,99	23,05	24.967	127.676
7	5,01	0,79	2,85	8.863.196	357	1,2677	6,72	14,18	22,73	24.827	117.585
81	4,99	0,84	2,54	8.863.200	347	1,2162	5,43	14,00	23,03	25.542	143.692
Mittel	5,03			8.863.194			6,13	13,98	23,06		