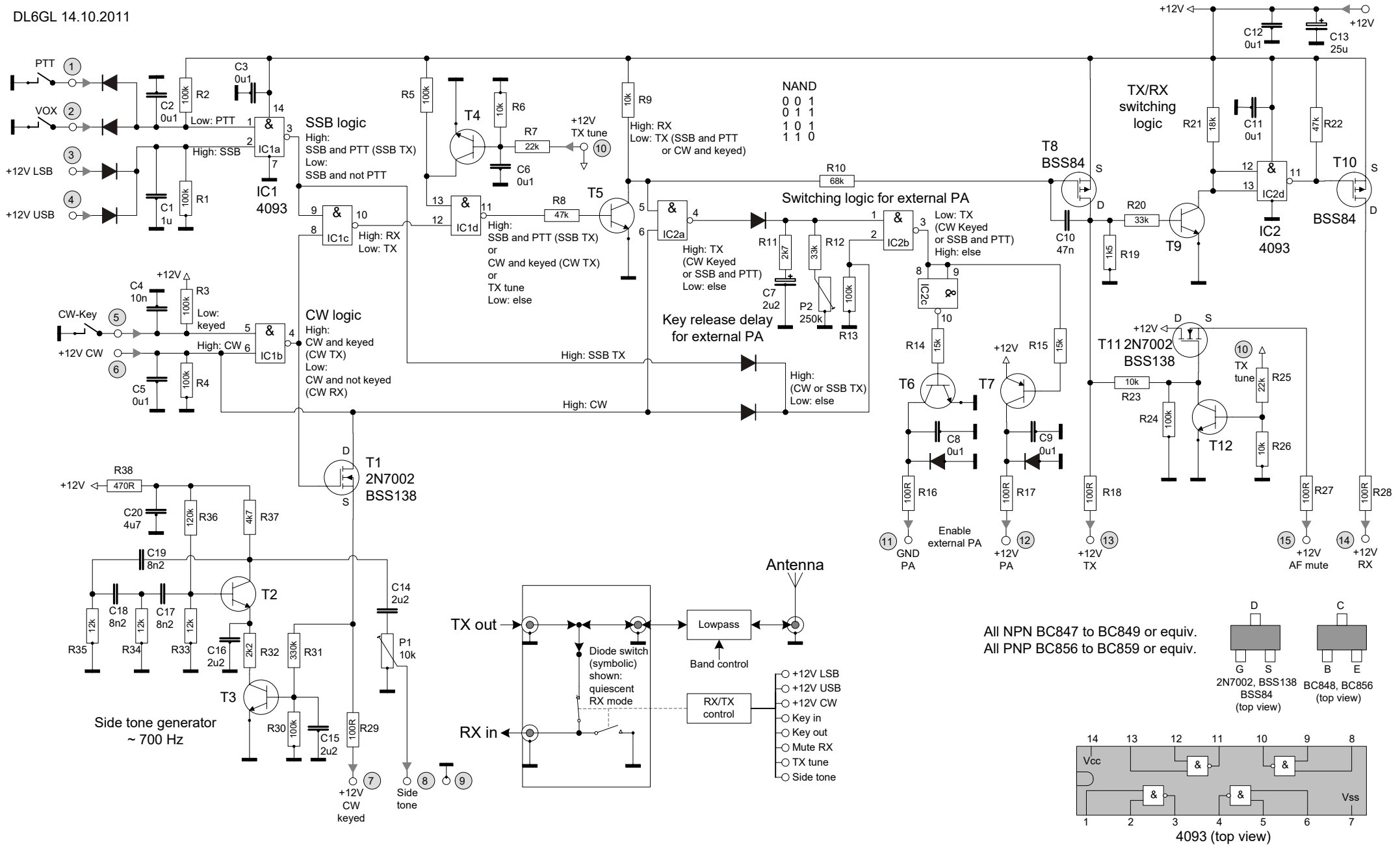


RX-/TX switch control

Idea from QRP project, Solf 2009

DL6GL 14.10.2011



All NPN BC847 to BC849 or equiv.
All PNP BC856 to BC859 or equiv.

